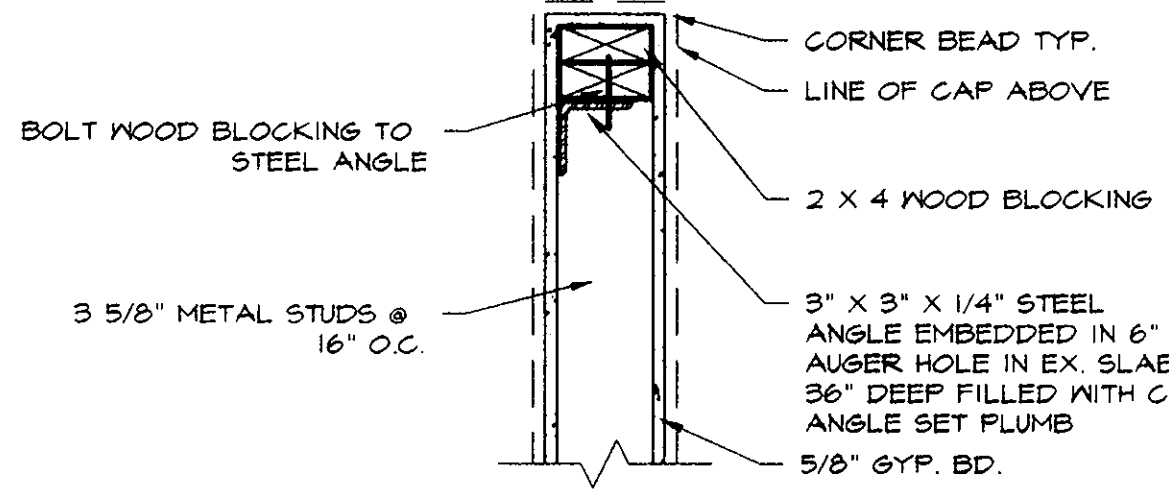
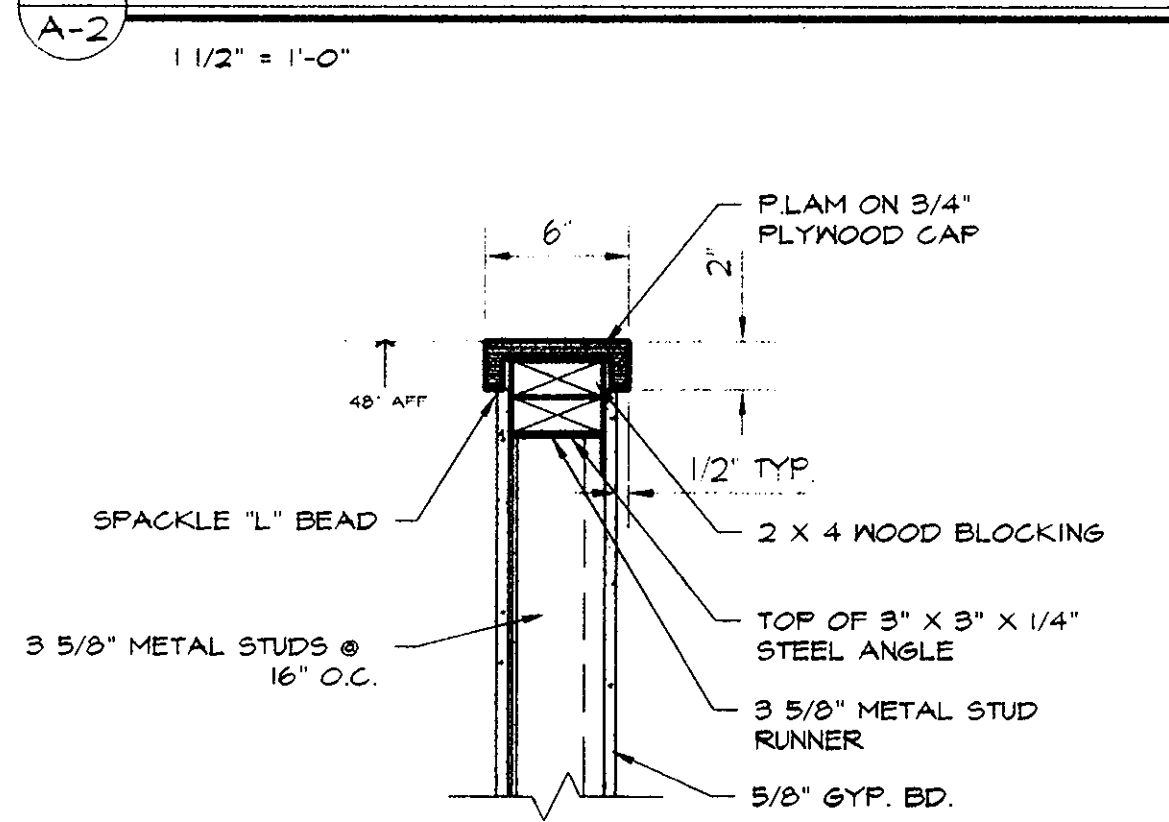


SCHEDULE OF EQUIPMENT AND CONNECTIONS											
ITEM	QTY	DESCRIPTION	MANF. MODEL	ELECTRICAL REQUIREMENTS			PLUMBING REQUIREMENTS			REMARKS	
				VOLTS	PHASE	CONNECTION	VENT	HTZ	COLD FILL		WASTE
1	1	CHINESE RANGE STOVE	SUN CHONGS-RO60							600,000	
2	2	GAS FRYER	PITCO #14							115,000 EA	
3	1	DISHWASHER	JACKSON TEMP STAR	208	60 A						
4	1	SMOKE HOUSE	PNC - USM - 2-30							100,000	
5	1	3 COMPARTMENT SINK W/ 18" DRABOARD	EAGLE - 414-24-3-R								
6	1	SALAMANDER	GARLAND TR-36-2B0							45,000	
7	1										
8	1	BAIN MARIE	BEVERAGE AIR 5PT2	110	1A						
9	1	MALK IN COOLER	AMERIKOOLER	208							1 HP
10	1	MALK IN FREEZER	AMERIKOOLER	208							1 1/2 HP
11	1	RICE COOKER	RINNAIR RTR-55A	110							
12	1	30" x 40" 9.9. WORKTABLE	ADVANCE TABCO							31,000	
13	1	OVEN	SOUTH BEND	110V							
14	1	2 COMPARTMENT SINK	EAGLE 414-24-2							34,000	
15	1	ONE COMPARTMENT UTILITY - HAND SINK	ADVANCE TABCO# 4-1-18								
16	1	ICE CREAM MACHINE	TAYLOR 336	208	24A						
17	3	BUFFET TABLE (HOT)	SUN CHONGS - CUSTOM	208	6KW/3						
18	1	CASH REGISTER		110							
19	1	ICE MACHINE	CRYSTAL TIPS	115	38A						
20	1	COFFEE MACHINE	CEGLIWARE	110	3KA						
21	1	SODA MACHINE									
22	1	BUFFET TABLE (COLD)	SUN CHONGS - CUSTOM	208							1/2 HP
23											
24											



5 LOW PARTITION ANCHOR DETAIL



4 LOW PARTITION CAP DETAIL

REFLECTED CEILING NOTES

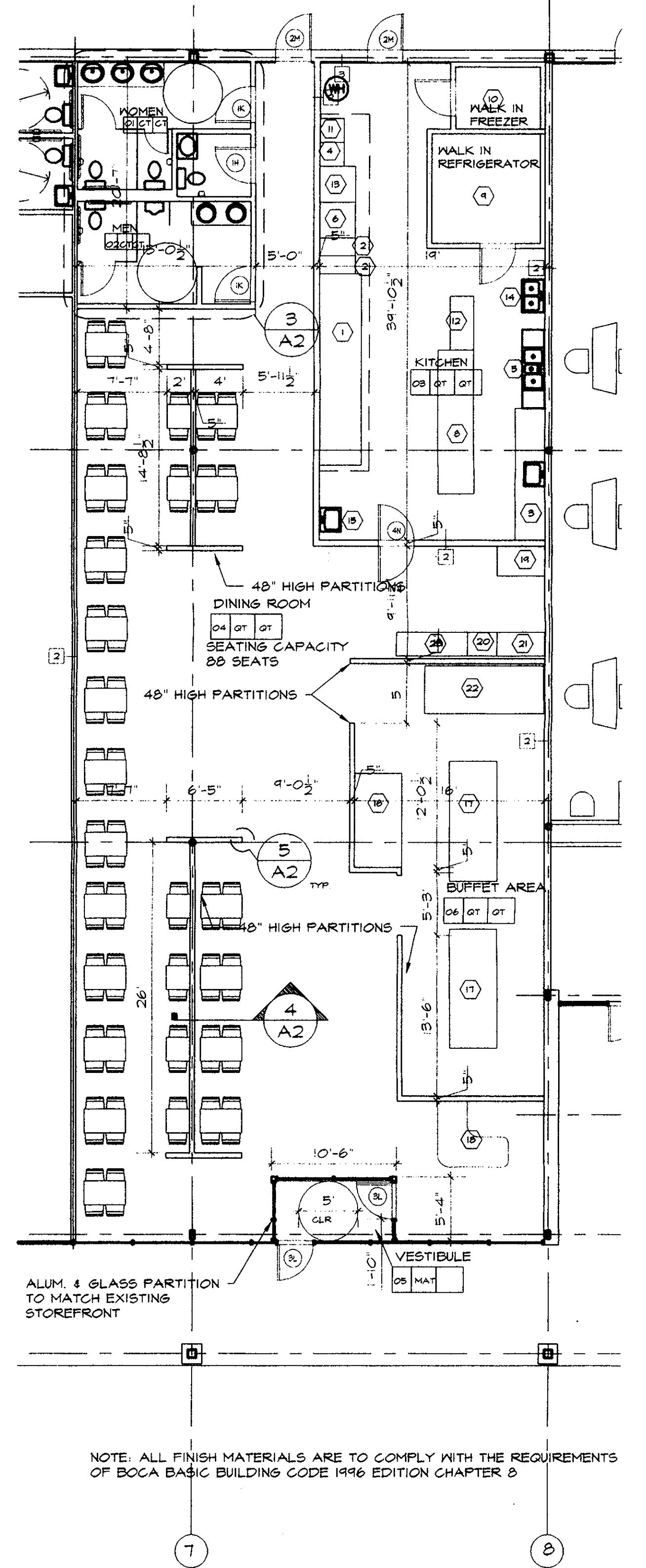
- 1. PROVIDE NEW 2' X 4' SUSPENDED CEILING THROUGHOUT THE DEMISED PREMISES
- 2. PROVIDE NEW CEILING SAME AS NOTE 1 IN TOILET ROOMS AT EL. + 9'-0" AFF
- 3. PROVIDE NEW 2' X 4' SUSPENDED CEILING THROUGHOUT THE KITCHEN AREA
- 4. ALL SPACES ABOVE THE CEILING WHICH ARE TO BE USED AS A PLENUM ARE TO FULLY COMPLY WITH THE REQUIREMENTS OF SECTION 2805.2 OF THE BOCA BASIC BUILDING CODE 1996 EDITION

SPRINKLER NOTES

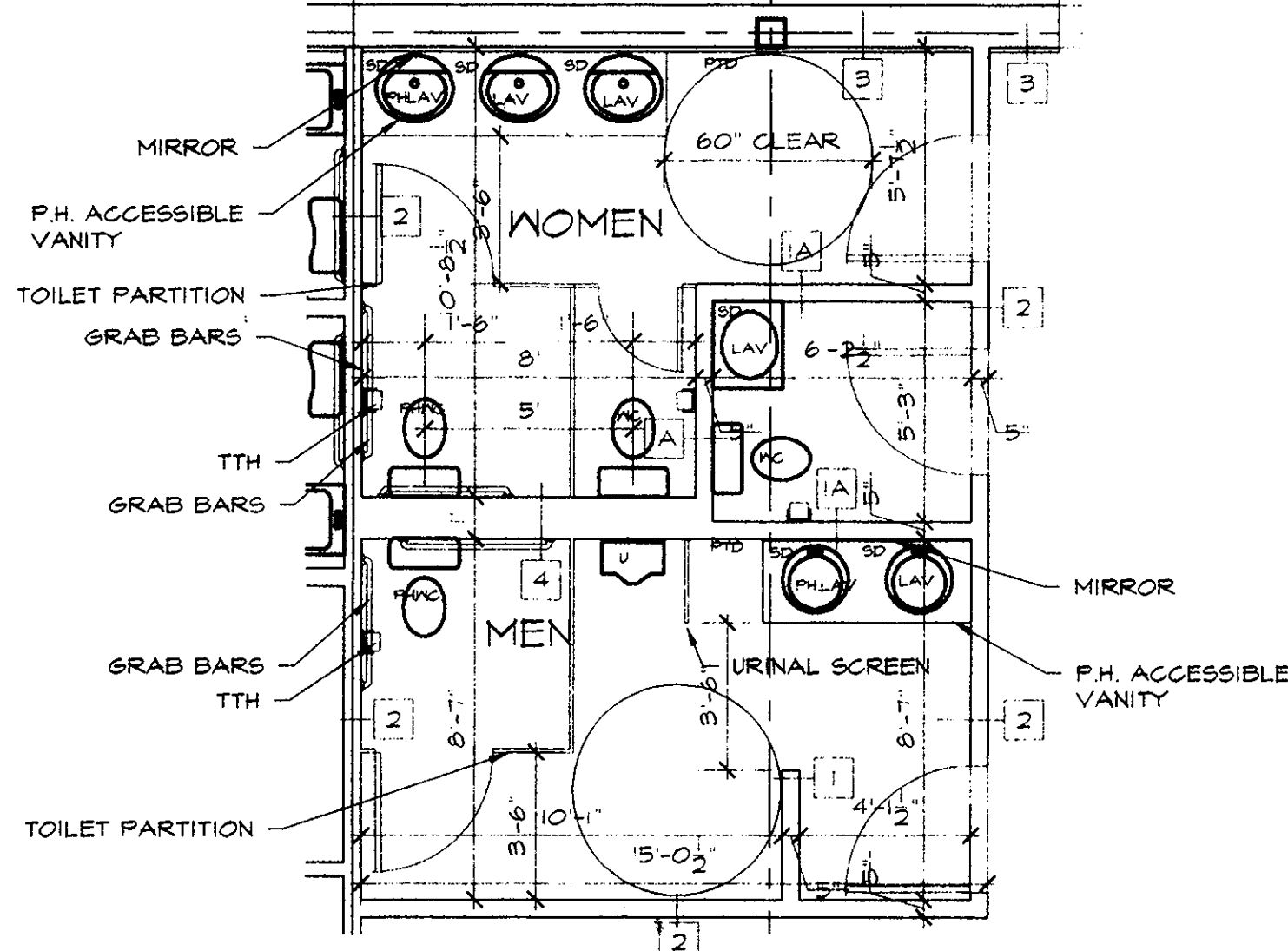
- 1. ALL SPRINKLER SYSTEM WORK AND MATERIALS SHALL CONFORM WITH LOCAL CODES, THE NATIONAL FIRE CODE, NFPA 13, AND THE BOCA BASIC BUILDING CODE
- 2. ALL SPRINKLER SYSTEM WORK SHALL BE PERFORMED BY A QUALIFIED CONTRACTOR LICENSED TO PERFORM WORK AS REQUIRED BY LOCAL ORDINANCES
- 3. THE SCOPE OF WORK SHALL INCLUDE BUT IS NOT LIMITED TO THE FOLLOWING:
 - A. SHOP DRAWINGS AND SAMPLE APPROVALS ARE TO BE CERTIFIED BY SEAL AND SIGNATURE OF A LICENSED PROFESSIONAL ENGINEER
 - B. REMOVAL OF DEBRIS AND SURPLUS MATERIAL
 - C. CLEANING
 - D. SUPERVISION
 - E. PERMITS, FEES, SUBMITTALS AND APPROVALS BY REGULATORY AGENCIES HAVING JURISDICTION
 - F. INSURANCE
 - G. GUARANTEE
 - H. CUTTING
- 4. THE CONTRACTOR SHALL VISIT THE SITE TO EXAMINE AND VERIFY EXISTING (BASE BLDG.) CONDITIONS PRIOR TO THE SUBMISSION OF A BID PROPOSAL. NO ALLOWANCE SHALL BE MADE FOR THE FAILURE TO COMPLY WITH THESE REQUIREMENTS AND A BID PROPOSAL SHALL BE CONSIDERED AS EVIDENCE THAT HE HAS DONE SO
- 5. THE CONTRACTOR MAY UTILIZE THE EXISTING (BASE BLDG.) SPRINKLER PIPING AND MODIFY SAME IN ORDER TO INSTALL NEW SPRINKLER HEADS. REFER TO REFLECTED CEILING PLAN
- 6. SPRINKLERS SHALL BE NEW, CURRENT ISSUE, APPROVED SPRAY TYPE WITH 1/2" NOMINAL DISCHARGE ORIFICE. SPRINKLERS SHALL BE OF THE RECESSED TYPE. IN ALL AREAS PROVIDE FULLY RECESSED TYPE HEADS SIMILAR TO VIKING HORIZON MIRAGE MODEL. B-1 FOR QUICK RESPONSE APPLICATIONS. ORDINARY TEMPERATURE (135-160 DEGREES) QUICK RESPONSE SPRINKLERS SHALL BE INSTALLED THROUGHOUT EXCEPT WHERE SPECIAL CONDITIONS OR OCCUPANCIES EXIST
- 7. ANY AND ALL WORK WHICH IS REQUIRED TO BE PERFORMED TO THE EXISTING (BASE BLDG.) SPRINKLER SYSTEM DUE TO THE NEW SPRINKLER SYSTEMS REQUIREMENTS SHALL BE INCLUDED WITHIN THE SCOPE OF THE WORK UNLESS INDICATED OR NOT
- 8. THE AUTOMATIC SPRINKLER SYSTEM SHALL BE FULLY INTEGRATED WITH THE FIRE DETECTION AND ALARM SYSTEM HAVING COMPLETE CENTRAL STATION MONITORING CAPABILITIES IF REQUIRED BY THE CODE HAVING JURISDICTION
- 9. THE CONTRACTOR SHALL COORDINATE ALL REQUIRED SHUTDOWNS WITH THE BUILDING OWNER. THE CONTRACTOR SHALL PROVIDE ANY REQUIRED PIPING VALVES ETC. TO PROVIDE FULL TEMPORARY AUTOMATIC SPRINKLER PROTECTION FOR THE REMAINING AREAS OUTSIDE OF THE WORK AREA DURING THE CONSTRUCTION PERIOD
- 10. THE CONTRACTOR SHALL PROVIDE A CONTINUOUS FIRE WATCH DURING ALL SPRINKLER SYSTEM SHUTDOWNS
- 11. CONTRACTOR SHALL PROVIDE WATER FLOW VALVE CAPABLE TO SMOKE LOCATED AT FRONT ENTRANCE

TOILET ACCESSORIES SCHEDULE

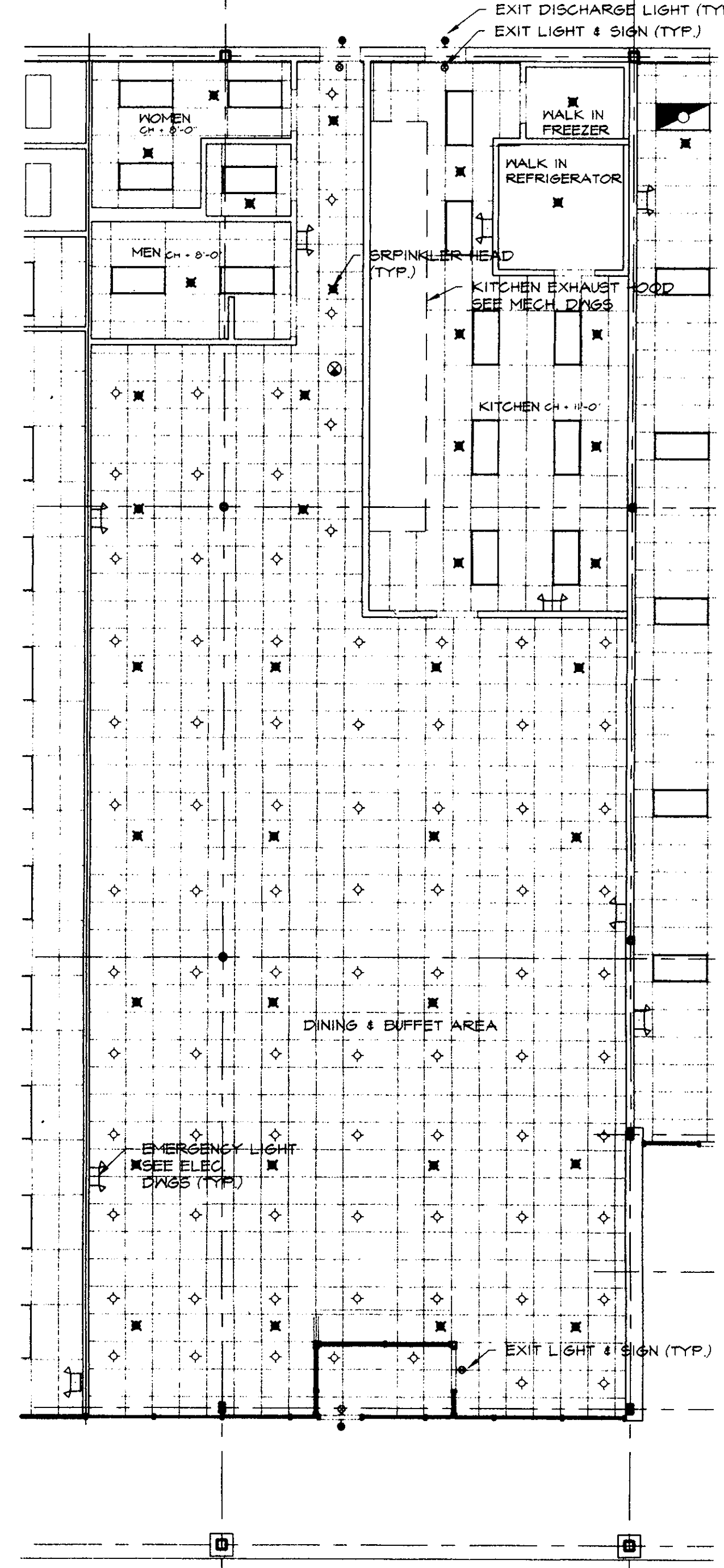
MARK	DESCRIPTION	MANUFACTURER	MODEL #	COLOR	STYLE	REMARKS
PTD	PAPER TOWEL DISPENSER	AMERICAN SPECIALTIES	64623		ST-STL	
TTH	TOILET TISSUE HOLDER	AMERICAN SPECIALTIES	0091		ST-STL	
SD	SOAP DISPENSER	AMERICAN SPECIALTIES	0350		ST-STL	6" SPOUT
GB	GRAB BARS	AMERICAN SPECIALTIES	3400 SERIES		ST-STL	
M	MIRROR	AMERICAN SPECIALTIES	0620-B			



1 CONSTRUCTION FLOOR PLAN



3 PARTIAL FLOOR PLAN



2 REFLECTED CEILING PLAN

2/8/00 ISSUED TO DCA FOR APPROVAL
1/25/00 REVISED PER C. LEE'S FAX OF 1/24/00

WSJS ARCHITECTS
755 NEW YORK AVE., HUNTINGTON, N.Y.
(516) 351-1999

ARCHITECTURE INTERIORS PLANNING

THESE PLANS ARE AN INSTRUMENT OF SERVICE AND ARE THE PROPERTY OF THE ARCHITECT. INFRINGEMENTS WILL BE PROSECUTED.
THE CONTRACTOR SHALL VERIFY ALL FIELD CONDITIONS AND BE RESPONSIBLE FOR FIELD FIT AND QUANTITY OF WORK. NO ALLOWANCES SHALL BE MADE IN BEHALF OF THE CONTRACTOR FOR ANY ERROR OR NEGLECT ON HIS PART.

CERT. NO.
PROJECT NAME
PROPOSED
CHINESE BUFFET RESTAURANT
MANSFIELD COMMONS SHOPPING CENTER
MANSFIELD, NEW JERSEY

DRAWING TITLE
CONSTRUCTION PLAN REFLECTED CEILING PLAN

DRAWN BY JS
CHKD BY JS
DATE 2/8/00
PROJ # 4976
SCALE AS NOTED
DRAWING NUMBER
A-2